

Spiral Fluted Tap Series for blind hole

DIN

ZEN-B



Spiral Fluted Taps for Nickel Base Alloys

Specification

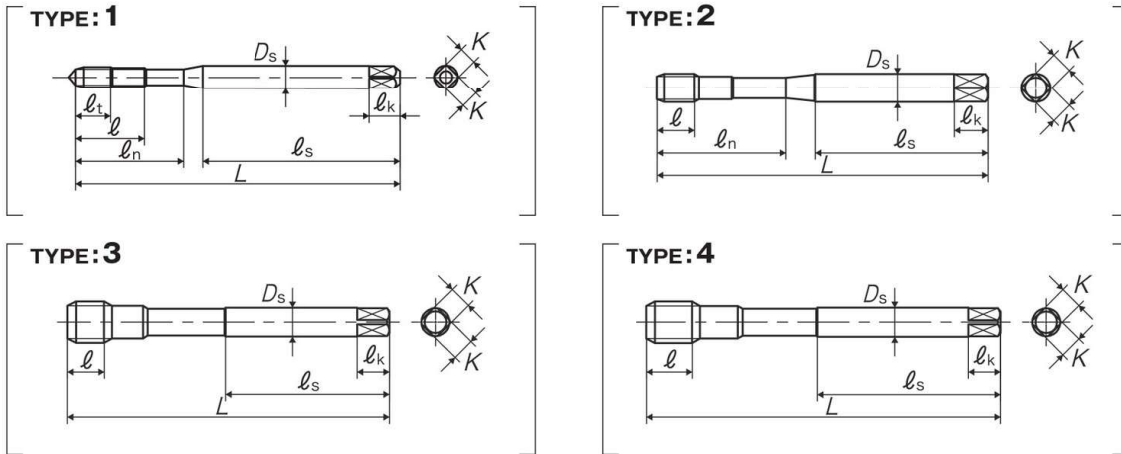


ZEN-B is the spiral fluted tap for nickel base alloys which, with nickel as main composition, have much higher corrosion resistance and much higher heat resistance than steels.

Recommended Tapping Speeds depending on Materials

Low carbon steels 低炭素鋼	Medium carbon steels 中炭素鋼	Stainless steels ステンレス鋼	Nickel base alloys ニッケル基合金
5~15 (m/min)	5~15 (m/min)	5~15 (m/min)	5~10 (m/min)

For icon explanation, refer to icon-1



Segment : 1D

Size	Class	Code	Chamfer	L (mm)	lt (mm)	ln (mm)	ls (mm)	Ds (mm)	K (mm)	lk (mm)	No. of flutes	TYPE
For Metric Threads												
M3 × 0.5	ISO2X	SD3.0GBJPX	3P	56	5	9	18	3.5	2.7	6	3	1
M4 × 0.7	ISO2X	SD4.0IBJPX	3P	63	7	13	21	4.5	3.4	6	3	1
M5 × 0.8	ISO2X	SD5.0KBJPX	3P	70	9	14	25	6	4.9	8	3	1
M6 × 1	ISO2X	SD6.0MBJPX	3P	80	11	15	30	6	4.9	8	3	1
M8 × 1.25	ISO2X	SD8.0NBJPX	3P	90	-	12	35	8	6.2	9	3	2
M10 × 1.5	ISO2X	SD0100BJPX	3P	100	-	13	39	10	8	11	3	2
M10 × 1.25	ISO2X	SM010NBJPX	3P	100	-	13	-	7	5.5	8	3	3
M12 × 1.75	ISO2X	SG012PBJPX	3P	110	-	15	-	9	7	10	3	4
M12 × 1.5	ISO2X	SM0120BJPX	3P	100	-	15	-	9	7	10	3	3
M12 × 1.25	ISO2X	SM012NBJPX	3P	100	-	15	-	9	7	10	3	3
M14 × 2	ISO2X	SG014QBJPX	3P	110	-	18	-	11	9	12	3	4
M14 × 1.5	ISO2X	SM0140BJPX	3P	100	-	14	-	11	9	12	3	3
M16 × 2	ISO2X	SG016QBJPX	3P	110	-	18	-	12	9	12	3	4
M16 × 1.5	ISO2X	SM0160BJPX	3P	100	-	14	-	12	9	12	3	3
M18 × 2.5	ISO2X	SG018RBJPX	3P	125	-	20	-	14	11	14	4	4
M20 × 2.5	ISO2X	SG020RBJPX	3P	140	-	20	-	16	12	15	4	4
M22 × 2.5	ISO2X	SG022RBJPX	3P	140	-	20	-	18	14.5	17	4	4
M24 × 3	ISO2X	SG024SBJPX	3P	160	-	25	-	18	14.5	17	4	4

※ This product is different from JIS products in shape and dimensions, please be careful when using.
For improvement, spec may change without advance notice.

Think threads with
YAMAWA

- ① Spiral Fluted Taps (for blind hole)
- ② Spiral Fluted Taps (for through hole)
- ③ Spiral Pointed Taps (for through hole)
- ④ Hand Taps
- ⑤ Cemented Carbide Taps
- ⑥ Roll Taps
- ⑦ Special Thread Taps Simple Inspection Tools
- ⑧ Pipe Taps
- ⑨ Thread Mills
- ⑩ Dies
- ⑪ Center Drills Centering Tools

1 Spiral Fluted Tap Series for blind hole

Overall length	Chamfer+ full thread	Thread length	Thread + Neck length	Shank length	Shank dia.	Size of square	Length of square
L	ℓt	ℓ	ℓn	ℓs	Ds	K	ℓk

DIN

ZEN-B Spiral Fluted Taps for Nickel Base Alloys

Size	Class	Code	Chamfer	L (mm)	ℓt (mm)	ℓ (mm)	ℓn (mm)	ℓs (mm)	Ds (mm)	K (mm)	ℓk (mm)	No. of flutes	TYPE
For Unified Threads													
No.4-40UNC	2BX	SDUN4HYJPX	3P	56	11	5	18	34	3.5	2.7	6	3	1
No.6-32UNC	2BX	SDUN6JYJPX	3P	56	7	11	19	32	4	3	6	3	1
No.8-32UNC	2BX	SDUN8JYJPX	3P	63	7	13	21	38	4.5	3.4	6	3	1
No.10-24UNC	2BX	SDUNAMYJPX	3P	70	9	14	24	39	6	4.9	8	3	1
No.10-32UNF	2BX	SDUNA.JYJPX	3P	70	9	14	24	39	6	4.9	8	3	1
1/4-20UNC	2BX	SDU04NYJPX	3P	80	11	15	30	42	7	5.5	8	3	1
1/4-28UNF	2BX	SDU04KYJPX	3P	80	11	15	30	42	7	5.5	8	3	1
5/16-18UNC	2BX	SDU05OYJPX	3P	90	-	12	35	47	8	6.2	9	3	2
5/16-24UNF	2BX	SMU05MYJPX	3P	90	-	12	-	46	6	4.9	8	3	3
3/8-16UNC	2BX	SDU06PYJPX	3P	100	-	13	39	54.5	9	7	10	3	2
3/8-24UNF	2BX	SMU06MYJPX	3P	100	-	13	-	51	7	5.5	8	3	3
7/16-20UNF	2BX	SMU07NYJPX	3P	100	-	13	-	51	8	6.2	9	3	3
1/2-13UNC	2BX	SGU08RYJPX	3P	110	-	15	-	56	9	7	10	3	4
1/2-20UNF	2BX	SMU08NYJPX	3P	100	-	15	-	51	9	7	10	3	3
9/16-18UNF	2BX	SMU09OYJPX	3P	100	-	14	-	51	11	9	12	3	3
5/8-11UNC	2BX	SGU10UYJPX	3P	110	-	18	-	56	12	9	12	3	4
5/8-18UNF	2BX	SMU10OYJPX	3P	100	-	14	-	51	12	9	12	3	3
3/4-10UNC	2BX	SGU12VYJPX	3P	125	-	20	-	64	14	11	14	4	4
3/4-16UNF	2BX	SMU12PYJPX	3P	110	-	14	-	56	14	11	14	4	3

1 Spiral Fluted Taps (for blind hole)

2 Spiral Fluted Taps (for through hole)

3 Spiral Pointed Taps (for through hole)

4 Hand Taps

5 Cemented Carbide Taps

6 Roll Taps

7 Special Thread Taps (Simple Inspection Tools)

8 Pipe Taps

9 Thread Mills

10 Dies

11 Center Drills Centering Tools

DIN

①-151



Think threads with
YAMAWA

* This product is different from JIS products in shape and dimensions, please be careful when using.
For improvement, spec may change without advance notice.